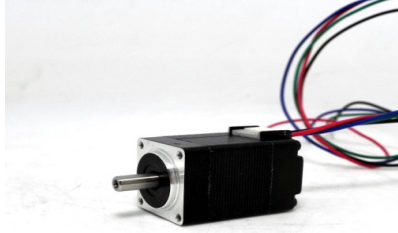


Model: NEMA8 Stepper motor-SM20HS(1.8 degree)



General Specification:

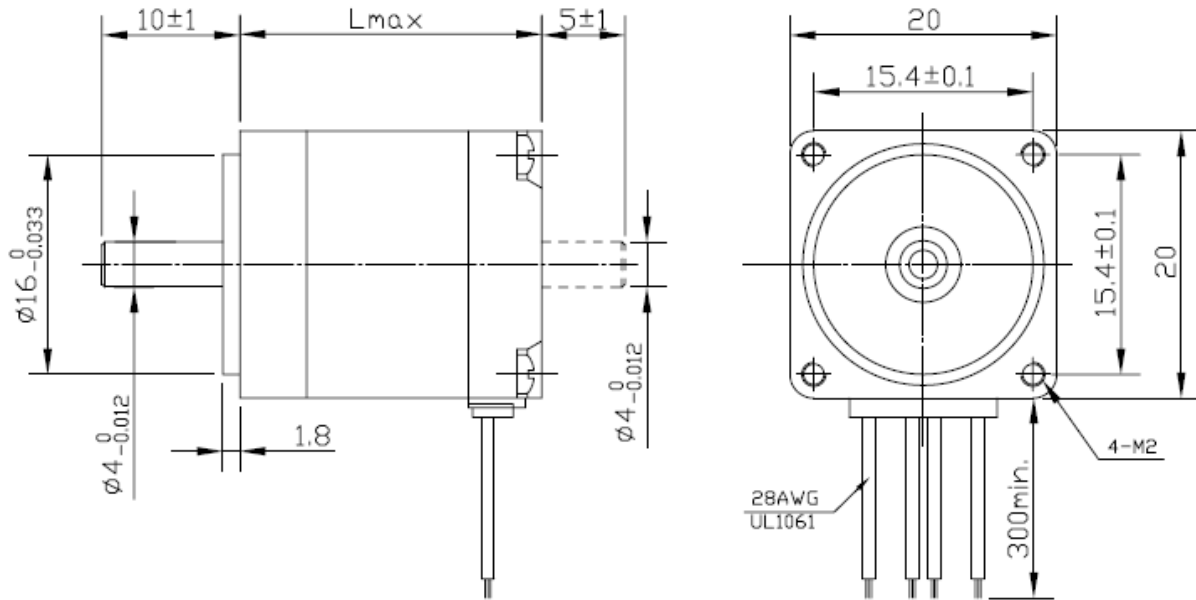
Step Accuracy ----- ±5%
 Resistance Accuracy ----- ±10%
 Inductance Accuracy ----- ±20%
 Temperature Rise ----- 80°C MAX.
 Ambient Temperature Range ----- -20°C~ +50°C
 Storage Temperature Range ----- -30°C~ +60°C
 Insulation Resistance ----- 100M Ω MIN. 500V DC
 Dielectric Strength ----- 500V AC 1min
 Radial Play ----- 0.02mm MAX. (450g Load)
 End Play ----- 0.08mm MAX. (450g Load)
 Max. radial force ----- 20N
 Max. axial force ----- 2N

Electrical Specification:

Model No.	Step Angle	Motor Length	Current /Phase	Resistance /Phase	Inductance /Phase	Holding Torque	Lead wires	Motor Weight
	(°)	(L)mm	A	ohm	mH	g.cm	No.	Kg
SM20HS30-0604	1.8	30	0.6	6.5	1.7	180	4	0.05
SM20HS33-0604	1.8	33	0.6	6.5	1.7	180	4	0.06
SM20HS38-0604	1.8	38	0.6	10	5.5	400	4	0.07
SM20HS42-0604	1.8	42	0.8	5.4	1.5	300	4	0.08

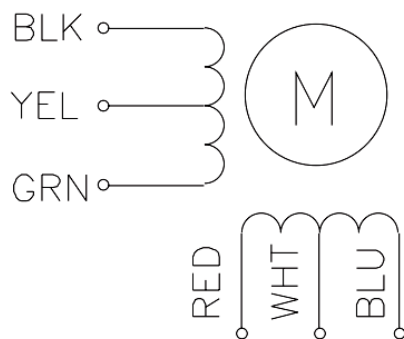
***Note:** We can also manufacture products according to customer's requirements.

**Dimensions:
(Unit=mm)**



Wiring Diagram:

6 LEADS



4 LEADS

